



May 26th 2020
5GPPP TB e-Workshop

5Growth Integration with ICT-17 (5G-VINNI and 5G-EVE)

Xi Li (NEC, Technical Manager)



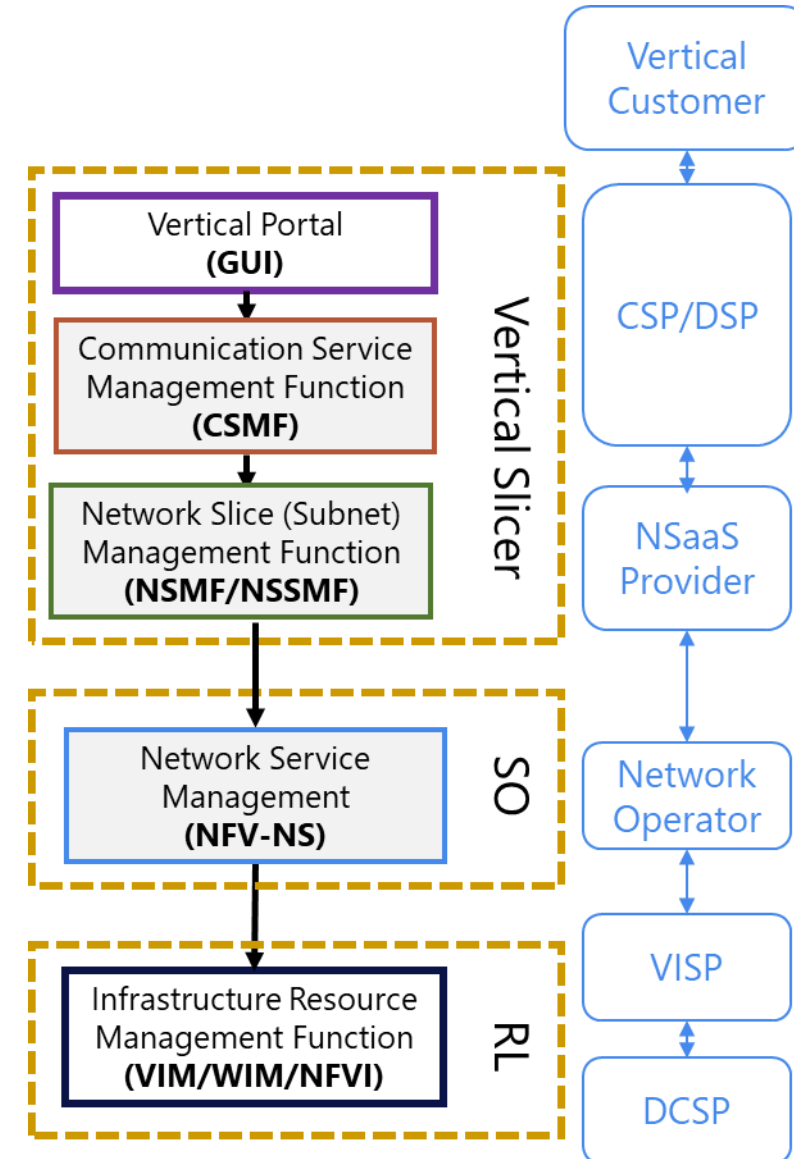
Outline

- Multi-Domain Architecture
- Integration with 5G-EVE
- Integration with 5G-VINNI

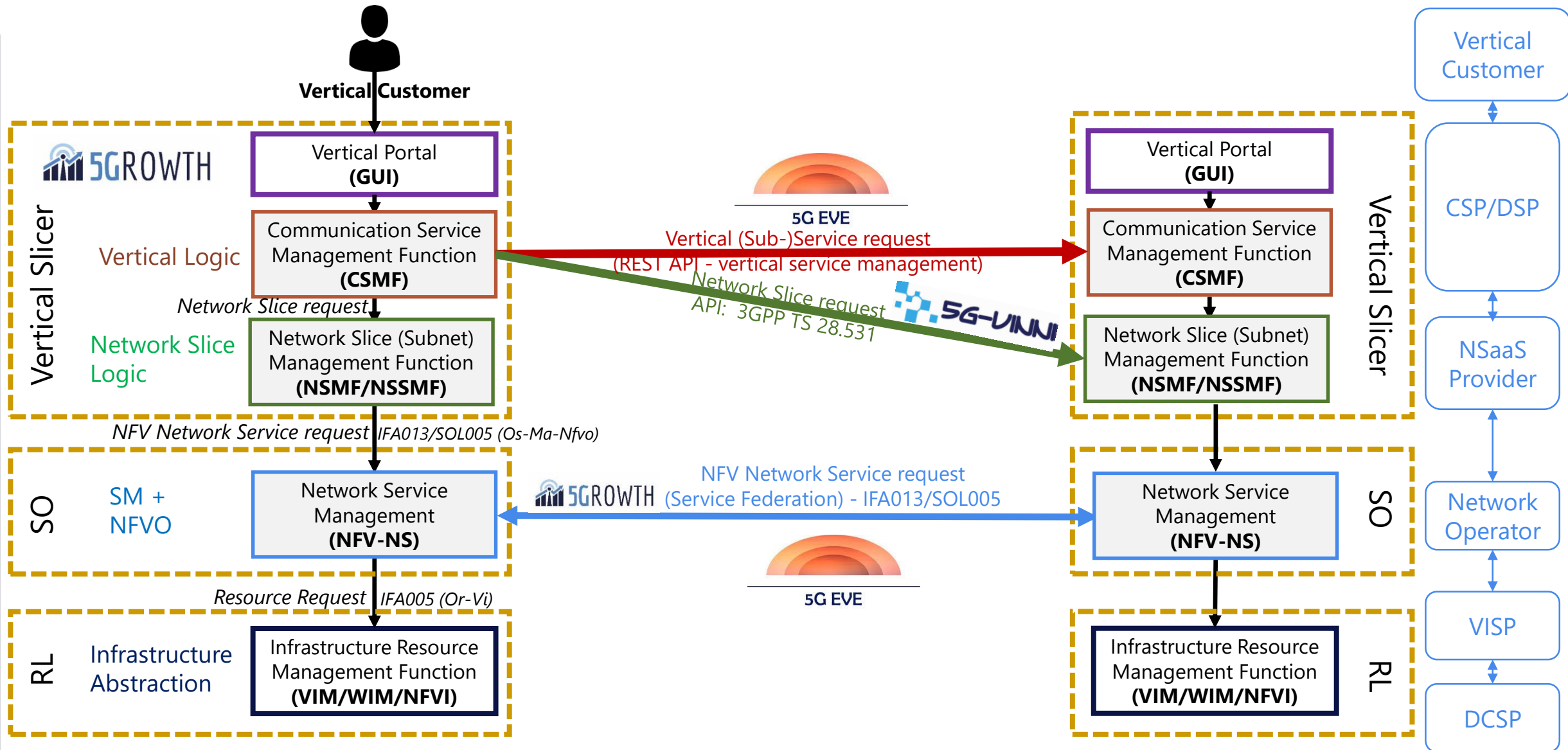
Federation and Multidomain in 5Growth

In 5Growth we will explore **Multi-domain at three different levels**

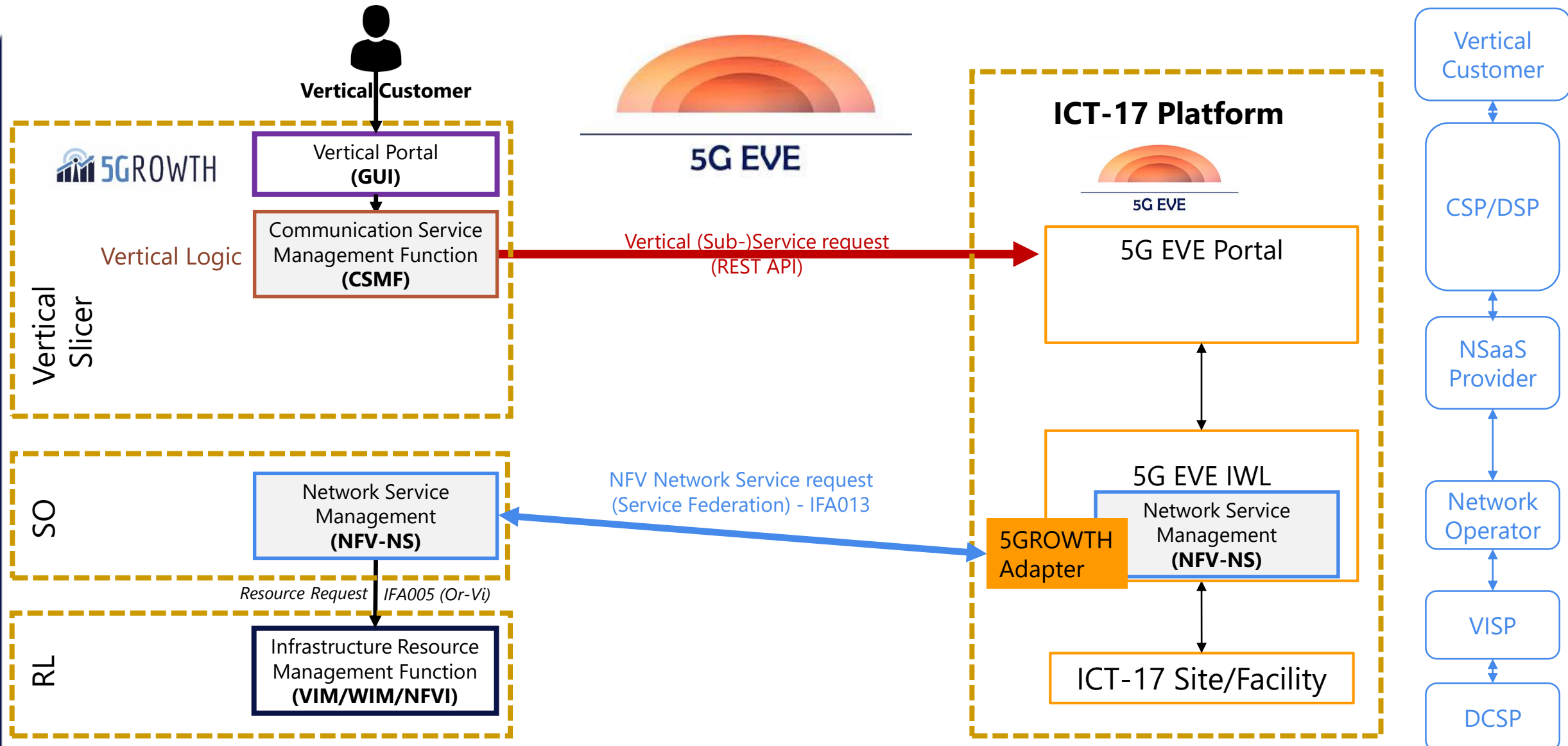
1. CSMF-to-CSMF Level: Multi-domain @ CSMF level at the **Vertical Slicer layer** (Maps 5G EVE model)
 - Federation among CSPs
 - The CSP decides how to split the vertical service and which of its components can be delegated to other peer CSPs
2. CSMF-to-NSMF Level: Single-domain CSMF interacting with multiple NSMFs at the **Vertical Slicer layer** (Maps 5G-VINNI model)
 - The CSP is customer of multiple NSPs
 - The CSP decides how to split the vertical service into multiple network slices and which NSP provides each of them
3. SO-to-SO Level: multi-domain @ NFV-NS level at the **Service Orchestrator layer**, developed in 5GT platform



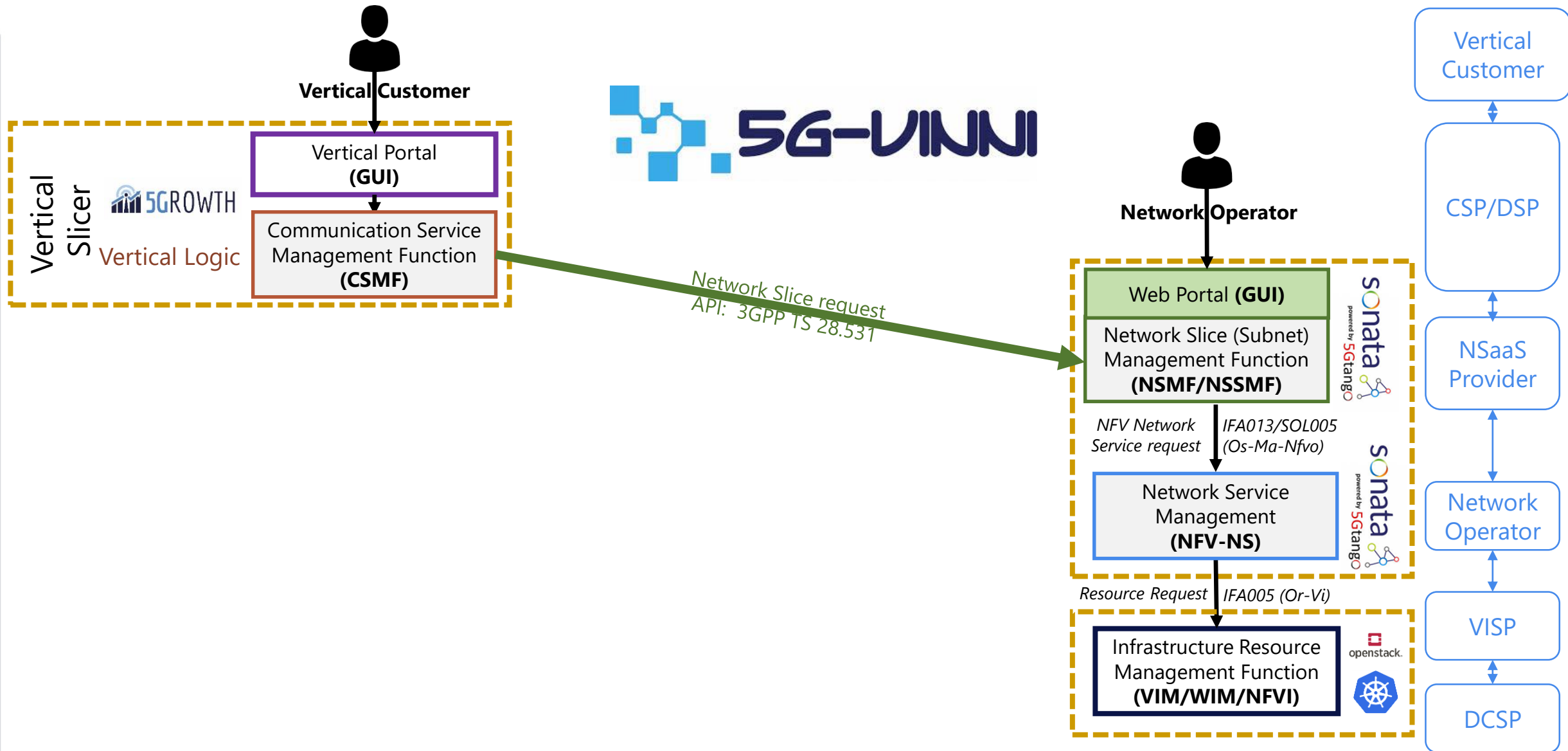
Agreed Interaction with ICT-17 Platforms



Multi-Domain: Integration 5G-EVE



Multi-Domain: Integration 5G-VINNI (Aveiro)

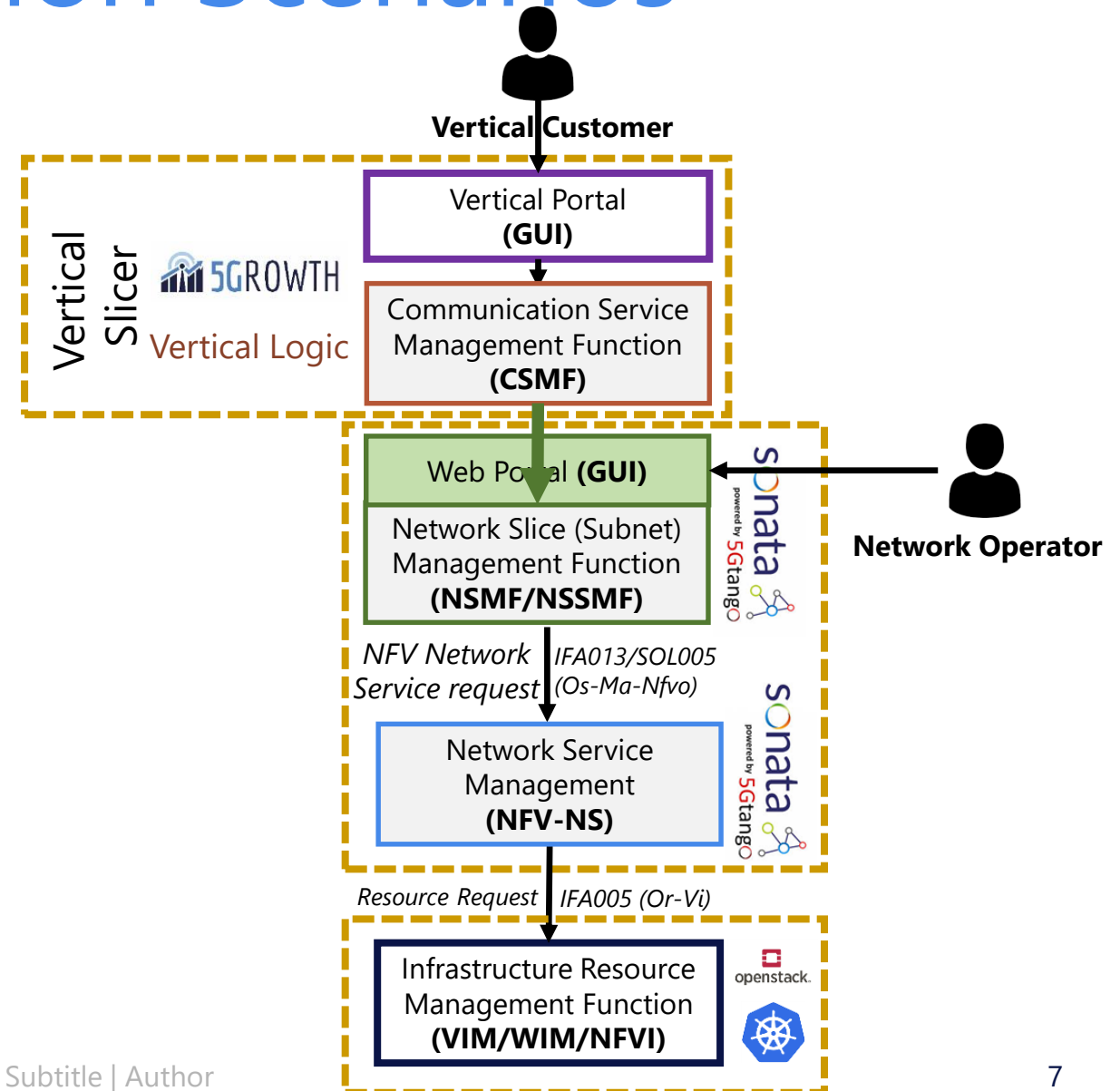


Integration: Utilization Scenarios

Utilization Scenario #1

- Extend Network Operators (Aveiro) with **Vertical Capabilities**, enabling Verticals self-management features (via Portal or API)

Interested Partners: Altice Labs, ...

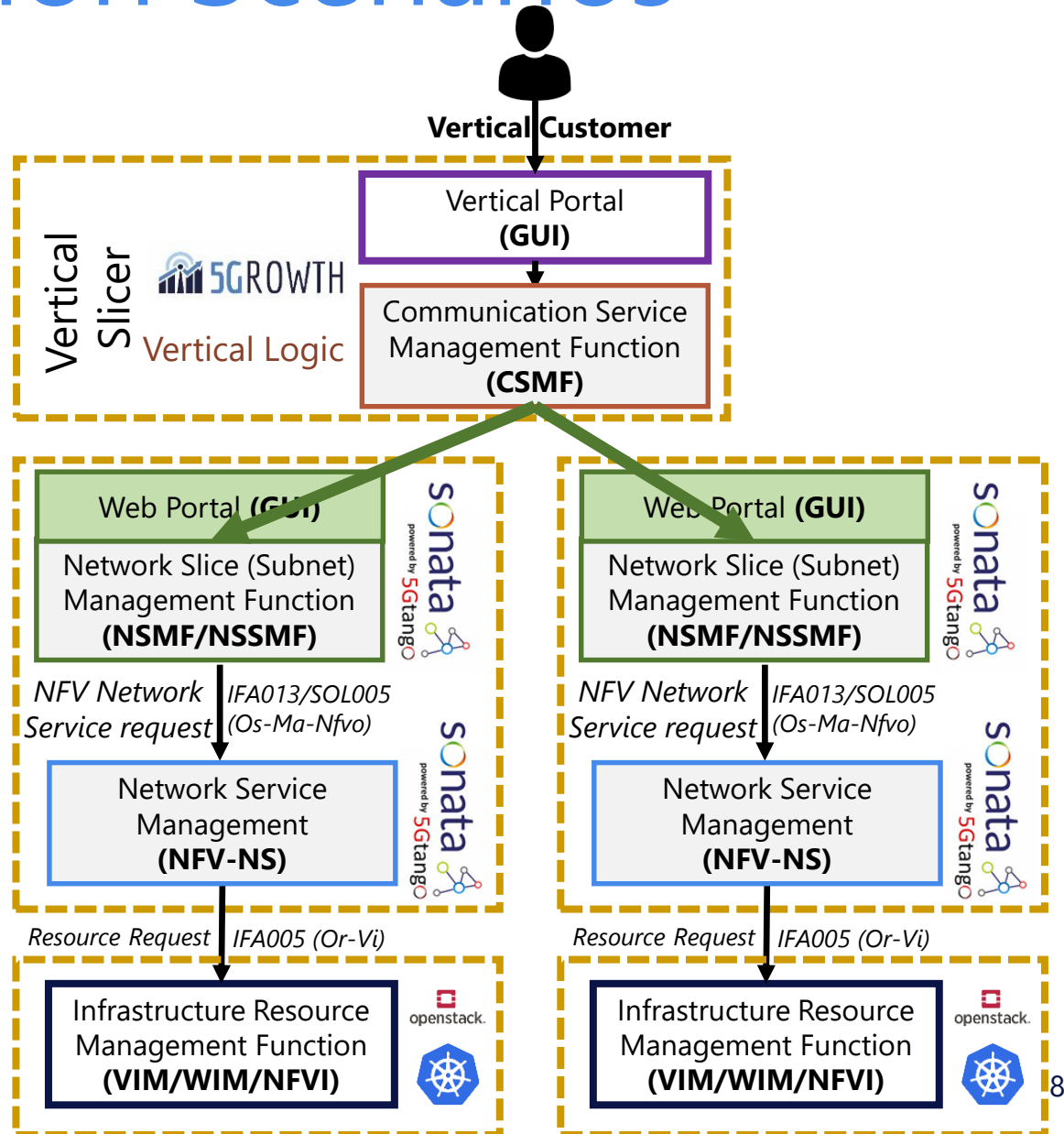


Integration: Utilization Scenarios

Utilization Scenario #2

- Enable the **Service Provider** role, which provides services directly to Verticals relying on 3rd party networks (from Network Operators)

Interested Partners: IT Aveiro, ...





Next Steps towards Integration Implementation

Implementation of the required drivers at 5Growth stack according to the offered APIs of 5G-EVE and 5G-VINNI

We target for completing the implementation for 5Growth and ICT-17 integration **by November 2020** (First version of software implementation for the platform)



This project has received funding from the European Union's Horizon 2020 research and innovation programme under grant agreement No 856709.